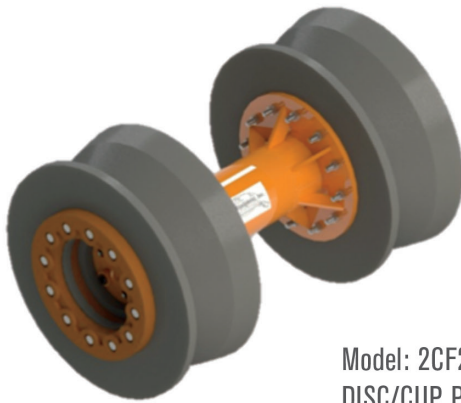


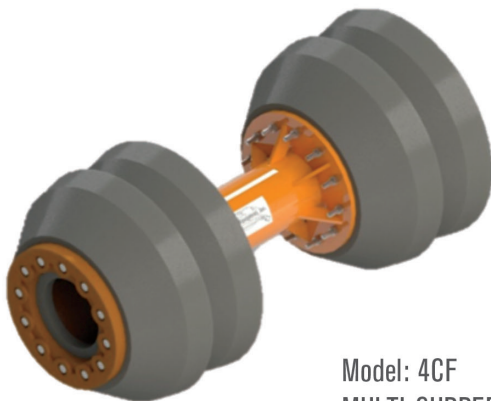
CONICAL FLEX PIGS

PRODUCT DESCRIPTION

The PEI Conical Flex pigs are a metal mandrel style pig that are currently available in four configuration but are easily adaptable to others. The four Flex cup configuration (Model 4CF) is best used for batching or displacement applications. The two Conical Flex cups, two Disc, with spring loaded brush cleaning elements configuration (Model 2CF2D-BR) is used for removing hard internal deposits from the pipe wall. The two Conical Flex cups, two Disc, with spring loaded blades cleaning element configuration (Model 2CF2D-BL) is for removing soft internal deposits from the pipe wall and coated pipe. All configurations are available in 16" and larger sizes and are re-buildable. Conical Flex Pigs will traverse 1.5D bends in disc/cup or cupped configurations, 3D bends in cleaning configurations and reductions up to 20%.



Model: 2CF2D
DISC/CUP PIG



Model: 4CF
MULTI-CUPPED PIG

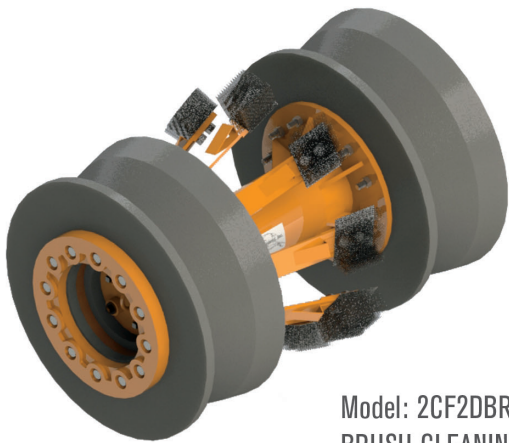
Part Number	SIZE	A*	B**	WT. LBS.
2CF2D-16	16"	25.00"	24.75"	62
2CF2D-18	18"	28.50"	27.75"	92
2CF2D-20	20"	30.00"	29.00"	105
2CF2D-22	22"	34.50"	33.75"	170
2CF2D-24	24"	36.75"	35.00"	190
2CF2D-26	26"	40.25"	39.5"	230
2CF2D-28	28"	41.50"	40.75"	250
2CF2D-30	30"	46.75"	45.75"	345
2CF2D-32	32"	48.00"	47.00"	380
2CF2D-34	34"	54.75"	53.50"	505
2CF2D-36	36"	56.00"	54.75"	555
2CF2D-40	40"	62.75"	61.25"	845
2CF2D-42	42"	64.00"	62.50"	905
2CF2D-48	48"	74.00"	72.50"	1255

Part Number	SIZE	A*	B**	WT. LBS.
4CF-16	16"	29.25"	27.00"	74
4CF-18	18"	34.00"	31.75"	126
4CF-20	20"	35.25"	32.00"	127
4CF-22	22"	41.25"	38.50"	223
4CF-24	24"	42.50"	39.50"	243
4CF-26	26"	48.00"	44.25"	287
4CF-28	28"	49.25"	44.50"	311
4CF-30	30"	55.50"	51.25"	426
4CF-32	32"	56.50"	51.50"	446
4CF-34	34"	64.25"	59.25"	613
4CF-36	36"	65.50"	59.50"	661
4CF-40	40"	73.50"	67.75"	1026
4CF-42	42"	74.75"	68.00"	1078
4CF-48	48"	85.50"	78.50"	1295

* A IS EQUAL TO THE TOTAL LENGTH

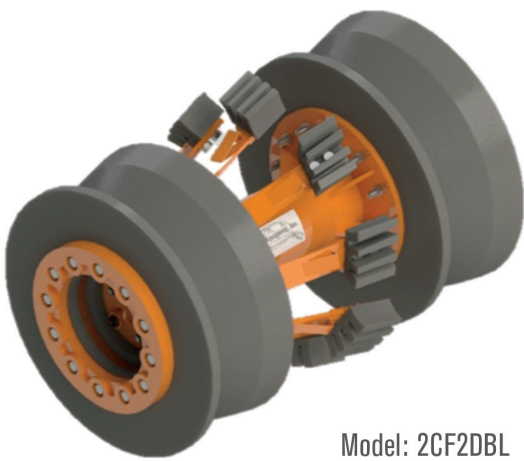
** B IS EQUAL TO THE SEAL LENGTH
DIMENSIONS ARE APPROXIMATE

CONICAL FLEX PIGS



Model: 2CF2DBR
BRUSH CLEANING PIG

Part Number	SIZE	A*	B**	WT. LBS.
2CF2DBR-16	16"	25.00"	24.75"	86
2CF2DBR-18	18"	28.50"	27.75"	128
2CF2DBR-20	20"	30.00"	29.00"	138
2CF2DBR-22	22"	34.50"	33.75"	227
2CF2DBR-24	24"	36.75"	35.00"	247
2CF2DBR-26	26"	40.25"	39.5"	300
2CF2DBR-28	28"	41.50"	40.75"	329
2CF2DBR-30	30"	46.75"	45.75"	430
2CF2DBR-32	32"	48.00"	47.00"	469
2CF2DBR-34	34"	54.75"	53.50"	644
2CF2DBR-36	36"	56.00"	54.75"	686
2CF2DBR-40	40"	62.75"	61.25"	982
2CF2DBR-42	42"	64.00"	62.50"	1054
2CF2DBR-48	48"	74.00"	72.50"	1326



Model: 2CF2DBL
BLADE CLEANING PIG

Part Number	SIZE	A*	B**	WT. LBS.
2CF2DBL-16	16"	25.00"	24.75"	86
2CF2DBL-18	18"	28.50"	27.75"	128
2CF2DBL-20	20"	30.00"	29.00"	138
2CF2DBL-22	22"	34.50"	33.75"	227
2CF2DBL-24	24"	36.75"	35.00"	247
2CF2DBL-26	26"	40.25"	39.5"	300
2CF2DBL-28	28"	41.50"	40.75"	329
2CF2DBL-30	30"	46.75"	45.75"	430
2CF2DBL-32	32"	48.00"	47.00"	469
2CF2DBL-34	34"	54.75"	53.50"	644
2CF2DBL-36	36"	56.00"	54.75"	686
2CF2DBL-40	40"	62.75"	61.25"	982
2CF2DBL-42	42"	64.00"	62.50"	1054
2CF2DBL-48	48"	74.00"	72.50"	1326